

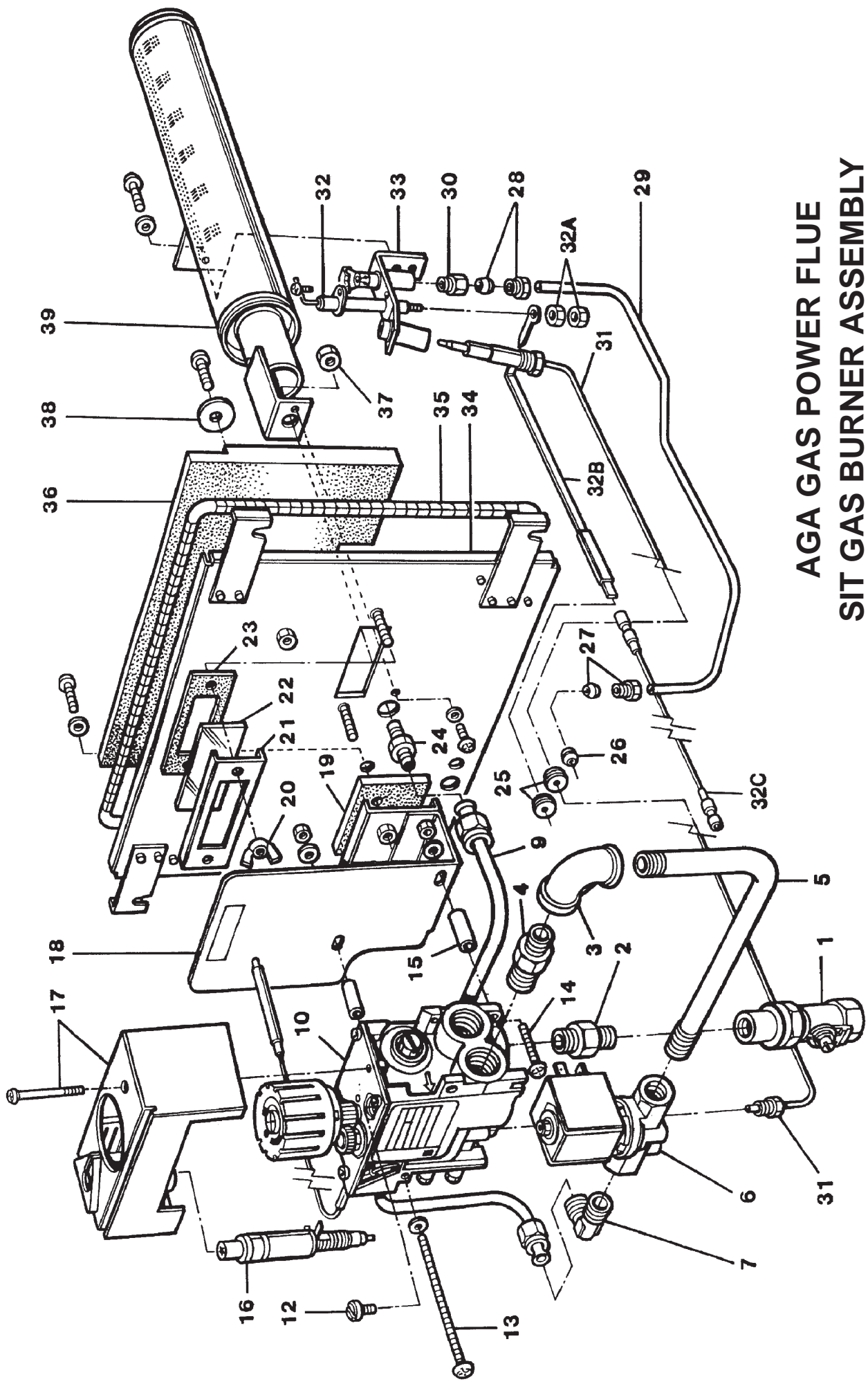
**AGA GAS
POWER FLUE**

***SPARE PARTS
MANUAL***

(Components Unique to Power Flue Only)

DATE: MARCH 1998

LPRT 511683

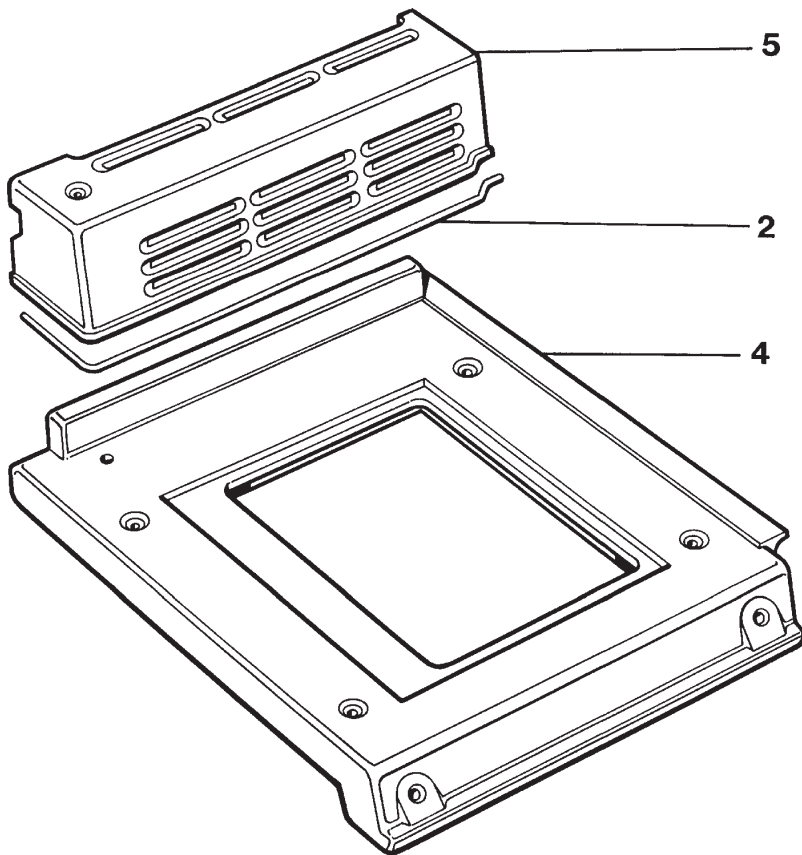
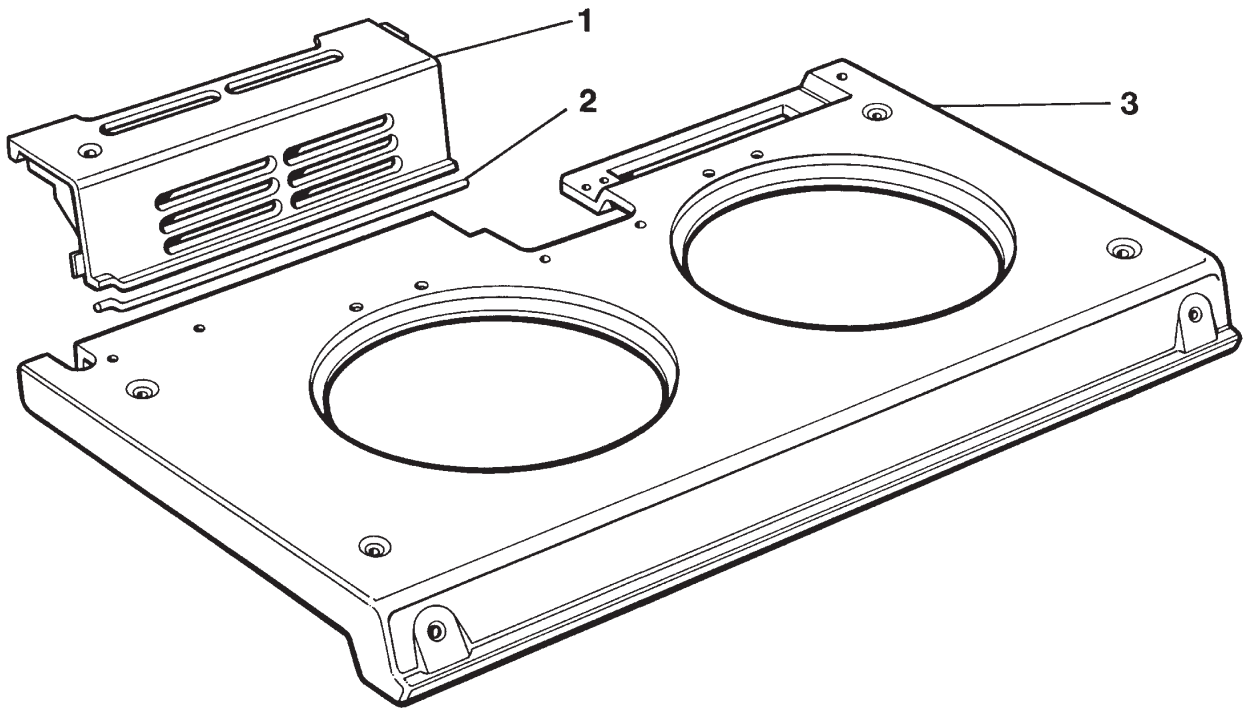


**AGA GAS POWER FLUE
SIT GAS BURNER ASSEMBLY**

**AGA GAS POWER FLUE
SIT GAS BURNER ASSEMBLY**

MAY 2011

ITEM No.	CAT No.	DESCRIPTION	PRODUCT CODE
1	A1219	GAS TAP 1/4" BSP F & F	AG4M26390
2	A2062	3/8" BSP x 1/4" BSP HEX NIPPLE	AG4M35636
3	A2192	1/4" BSP FEMALE ELBOW	AG4M28623
4	A2062	3/8" x 1/4" BSP HEX NIPPLE	AG4M35636
5	A3517	SOLENOID CONNECTING TUBE	AG4M210382
6	R3218	SOLENOID - JOHNSON	RG4M313331
7	A3518	1/4" BSP TAPER x 8mm TUBE COMP ELBOW	AG4M210556
9	A3011	BURNER FEED TUBE	AG4M210383
10	A2160	GAS VALVE SIT	AG1M210175
12	A2154	GAS V/V BYPASS SCREW SIZE 1.0 NG	KBYP210181
	A2153	GAS V/V BYPASS SCREW SIZE 1.2 NG	KBYP210180
	A2155	GAS V/V BYPASS SCREW SIZE 0.8 LPG	KBYP210182
	A4051	GAS V/V BYPASS SCREW SIZE 0.6 LPG	KBYP211274
13	A2405	M5 x 80 LG PAN HD SCREW	KPAN210238
14	NCA	M5 x 35 LG PAN HD SCREW	NCA
15	A2166	SPACER	AG4M210201
16	A2172	PIEZO IGNITOR	AG4M210178
17	A2171	CONTROL COVER AND SCREW - SIT	AG4M210177
18	A2182	GAS BAFFLE ASSEMBLY	AG1M210208
19	A2162	INSULATION PAD - GAS V/V BAFFLE	JPAD210200
20	G1160	M5 WINGNUT	KNUT53000
21	G1094	SIGHT GLASS FRAME	AG2M210019
22	A1236	SIGHT GLASS	AG4M30840
23	A2204	SIGHT GLASS GASKET	AG4M210011
24	A2300	BURNER INJECTOR CAT 31 - 285 BRAY NG	AG4M210307
	A2302	BURNER INJECTOR CAT 15 - 180 BRAY LPG	AG4M210324
25	A4046	GROMMET	AG4M211223
26	A2165	GROMMET	AG4M210237
27	A2199	NUT & OLIVE	KNUT500003
28	NCA	NUT & OLIVE FOR PILOT FEED TUBE (INCL IN ITEM 33)	NCA
29	A2169	PILOT FEED TUBE	AG4M210195
30	A4047	PILOT INJECTOR NG (SPARES)	AG4M211226
	A4048	PILOT INJECTOR LPG (SPARES)	AG4M211227
31	A2369	THERMOCOUPLE - LONG LIFE (KIT)	RG4M998603
32	A4049	IGNITION ELECTRODE NG/LPG	AG4M211228
32A	NCA	NUTS	NCA
32B	NCA	ELECTRODE CONNECTOR STRIP	AG4M211087
32C	NCA	ELECTRODE HT LEAD	AG4M211088
33	A4042	JOHNSON PILOT BURNER ASSEMBLY - NG	AG4M211221
	A4043	JOHNSON PILOT BURNER ASSEMBLY - LPG	AG4M211222
34	A4482	BURNER DOOR ASSEMBLY	AG1M211595
35	NCA	ROPE T/SEAL 9mm x 840mm LG	JTHR20438
36	A2163	BURNER DOOR INSULATION PAD	JPAD210196
37	R2199	1/8" BSP LOCKNUT	KNUT35297
38	R3983	M6 PLAIN WASHER	KWSR53393
39	A2168	GAS BURNER - FURIGAS	AG4M210236

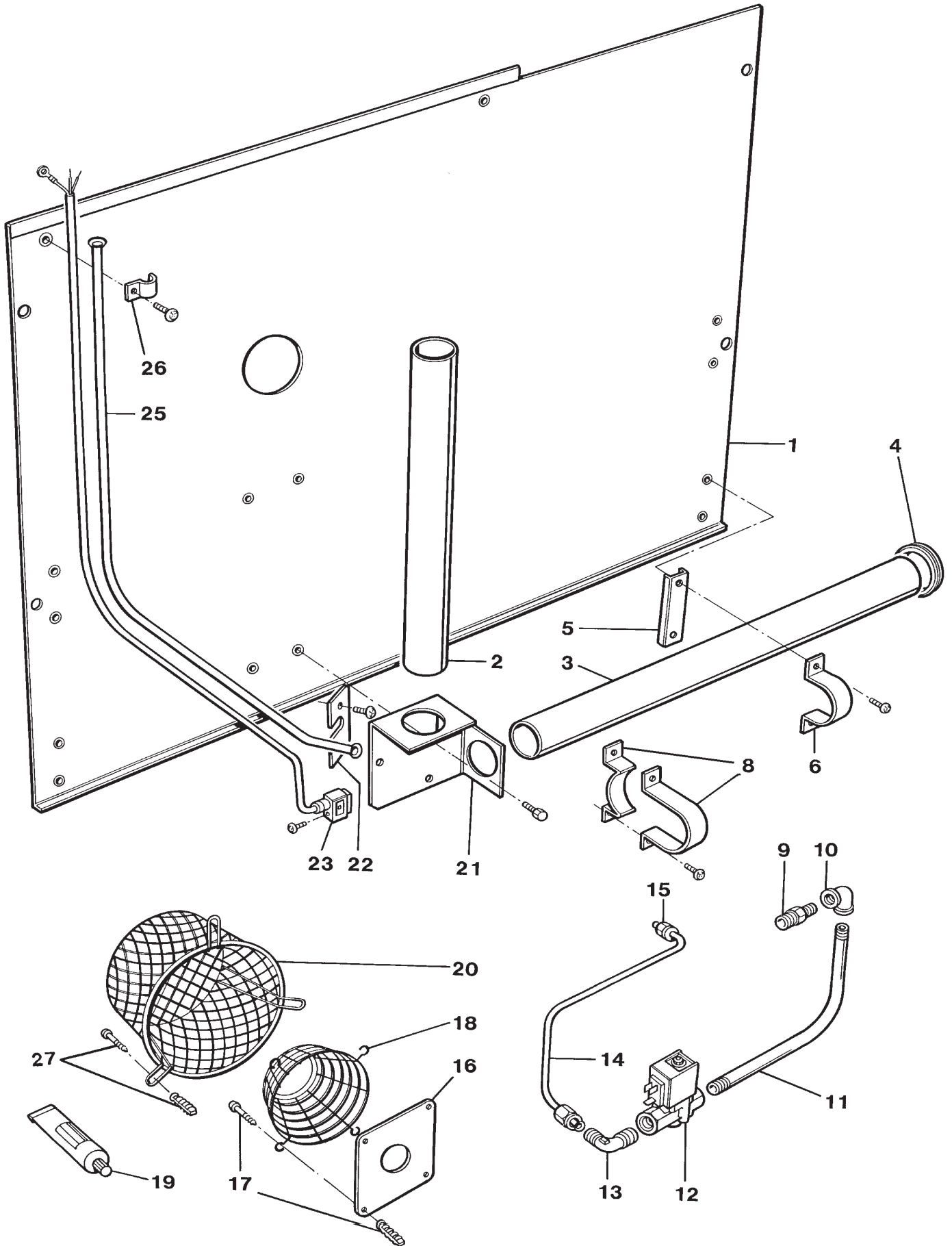


**TOP PLATES, 4 OVEN & HOTCUPBOARD SHROUDS
AGA GAS POWER FLUE**

AGA GAS POWER FLUE
TOP PLATES, 4 OVEN & HOTCUPBOARD SHROUDS

OCTOBER 2010

ITEM No.	CAT No.	DESCRIPTION	PRODUCT CODE
1	A2997	LH SHROUD ASSY (4 OVEN MODEL)	AG1M210625
2	A1900	FLUE SHROUD SEALING ROPE	JTHR20340
3	A2980	TOP PLATE	AG5E210543
4	A2979	TOP PLATE - HOT CUPBOARD	AE5E230277
5	A1117	HOTCUPBOARD SHROUD	AE5E1-18772

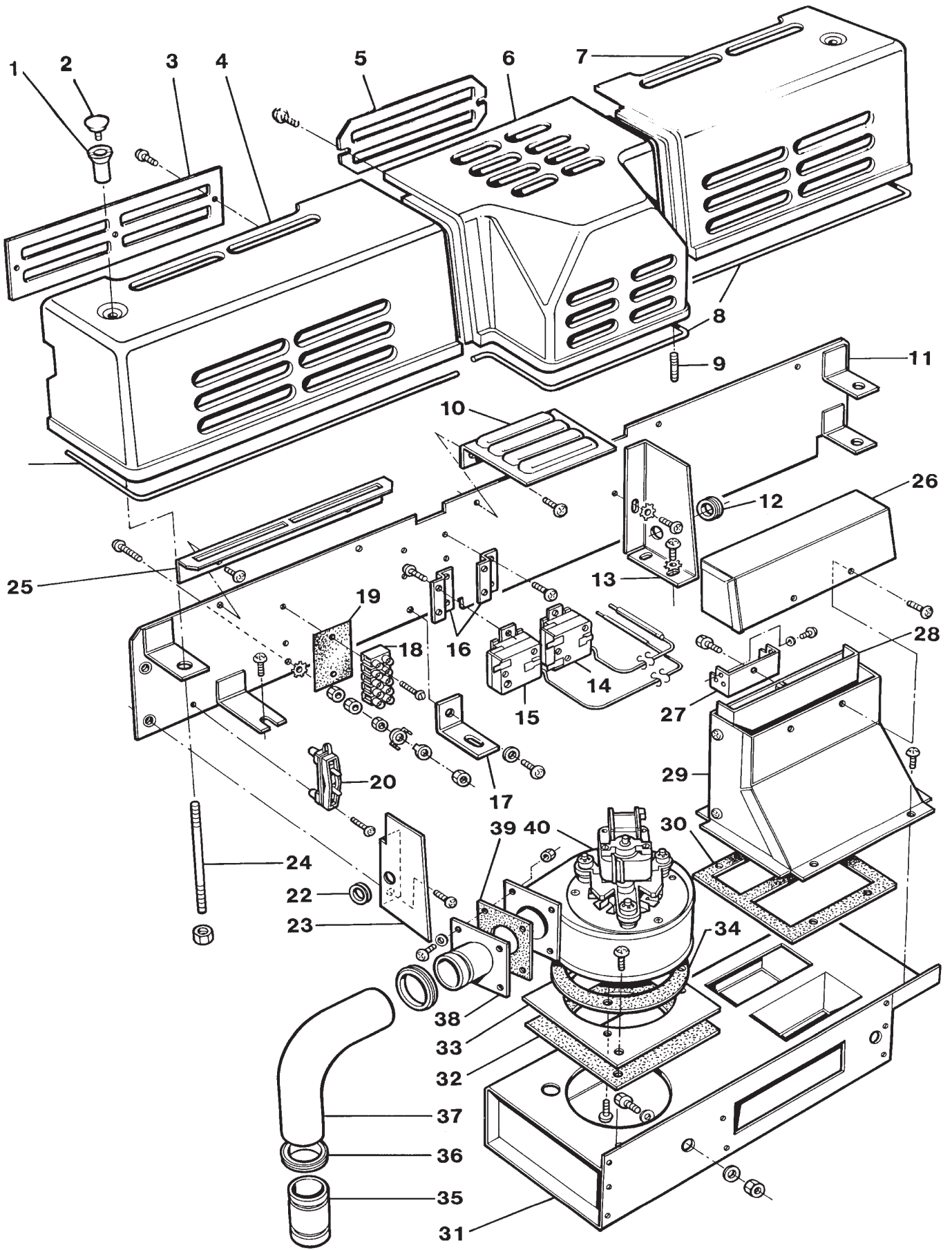


**FLUE PIPEWORK, TERMINAL & BACKPLATE
AGA GAS POWER FLUE**

**AGA GAS POWER FLUE
FLUE PIPEWORK, TERMINAL & BACKPLATE**

OCTOBER 2010

ITEM No.	CAT No.	DESCRIPTION	PRODUCT CODE
1	A3451	BACK PLATE	AG2M210344
2	A3007	VERTICAL FLUE PIPE	AG4M210380
3	A3006	HORIZONTAL FLUE PIPE	AG4M210566
4	A3244	SIDE PANEL GROMMET - RB3516	AG4M210557
5	A3540	FLUE PIPE SUPPORT BRACKET	AG2M210357
6	A2569	FLUE PIPE LOCATION BRACKET	AG4M210358PR
8	A2570	FLUE PIPE CLAMP ASSY	AG4M210360PR
9	A2062	3/8" x 1/4" BSP TAPER HEX NIPPLE	AG4M35636
10	A2192	1/4" BSP FEMALE ELBOW	AG4M28623
11	A6517	SOLENOID CONNECTING TUBE	AG4M210382
12	R3218	SOLENOID (U.K.)	RG4M313331
	A3243	SOLENOID (U.S.A.)	AG4M210687
13	A3518	1/4" BSP TAPER x 8mm DIA TUBE COMP ELBOW	AG4M210556
14	A3011	BURNER FEED TUBE	AG4M210383
15	F3002	8mm COMPRESSION NUT	FG4M420151
16	A2995	FLUE TERMINAL PLATE	AG2M210456
17	A3499	RAWL PLUG AND WOOD SCREW No. 8 x 1"	KRAW40583
	A2279	WOODSCREW RH HD No. 8 x 1" SLOTTED	KRDH49601
18	A1233	FLUE PIPE GUARD (TERMINAL GRILL)	AG4M30439
19	A2575	FLUE PIPE SEALANT	MADH210578
20	NCA	TERMINAL GUARD - UP TO M06-170	HG4M410189
20A	A2227	TERMINAL GUARD - FROM M06-170	AG4M210160
21	A3539	FLUE PIPE POSITIONING BRACKET	AG2M210356
22	A3008	CABLE TUBE FIXING BRACKET	AG2M210522
23	A4212	SOLENOID PLUG & CABLE ASSY (U.K.)	AG4M210577
	A3872	SOLENOID PLUG & CABLE ASSY (U.S.A.)	AG4M210677
25	A2635	CABLE GUIDE TUBE	AG4M210355
26	A3013	CABLE TUBE FIXING CLIP	AG4M210459
27	NCA	RAWL PLUG AND WOOD SCREW No. 12	KRAW40581

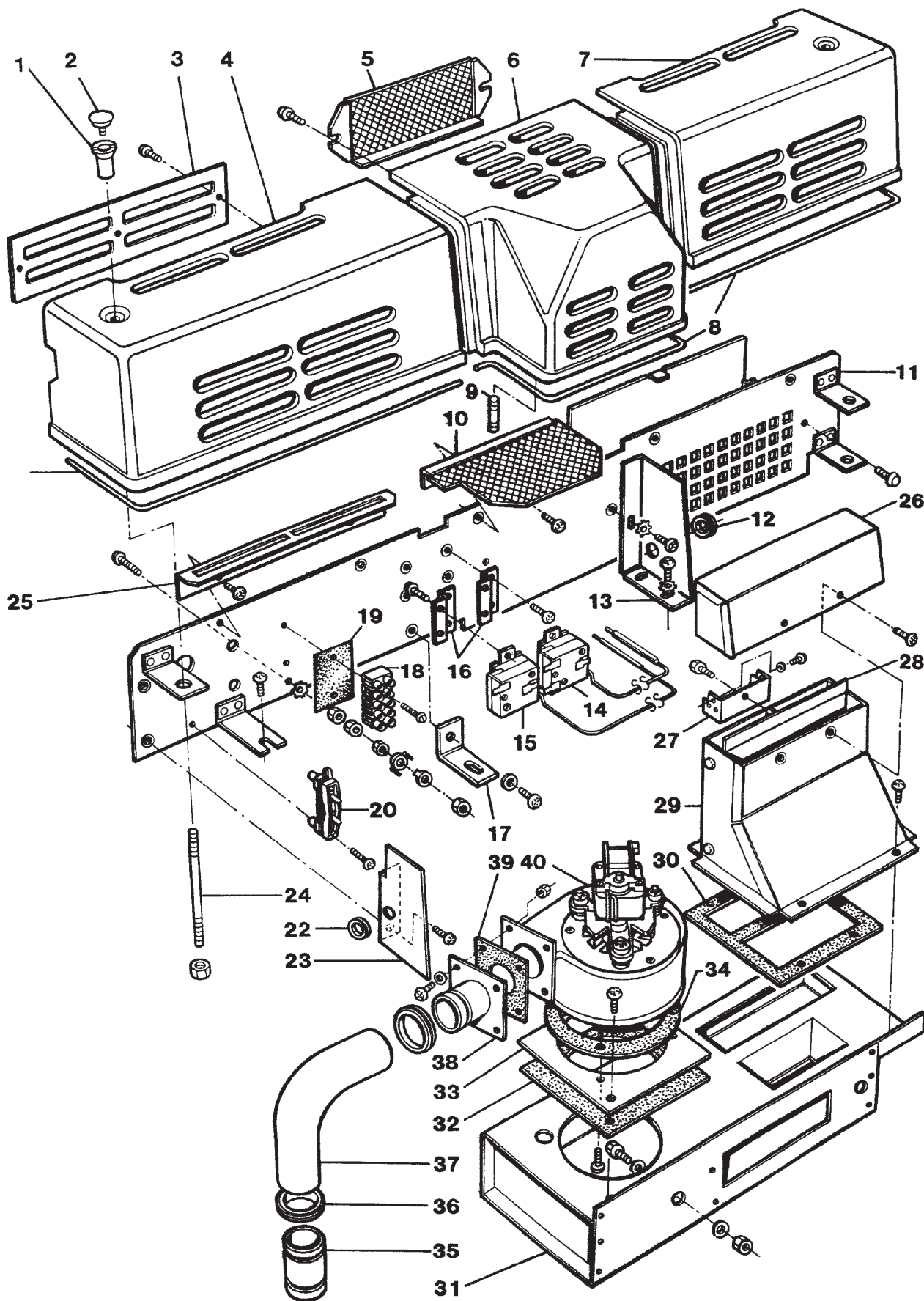


**FAN ASSEMBLY & COMPONENTS INC. SHROUDS
AGA GAS POWER FLUE (UP TO M04-179)**

**AGA GAS POWER FLUE
FAN ASSEMBLY & COMPONENTS INC. SHROUDS (UP TO M04-179)**

OCTOBER 2010

ITEM No.	CAT No.	DESCRIPTION	PRODUCT CODE
1	A2127	CORNER STAY NUT (U.K.)	AG4M210227
	A2123	CORNER STAY NUT (U.S.A.)	AG4M210244
2	A2119	CORNER STAY BUTTON	AG4M210228
3	A3547	LH SHROUD FRONT PLATE	AG2V210569
4	A2146	LH SHROUD (2 OVEN MODEL)	AE5E230158
5	A2996	FAN SHROUD FRONT PLATE	AG2V210378
6	A4599	FAN SHROUD	AG5E210547
7	A3028	RH SHROUD	AG5E210376
8	A1900	SHROUD SEALING ROPE	JTHR20340
9	A2986	SHROUD LOCATION STUD	KSTD52085
10	A4115	CENTRE SHROUD TOP PLATE	AG2V210667
11	NCA	SHROUD REAR SHIELD	AG1M210585
12	R2719	CHASSIS GROMMET	RG4M31317
13	A3541	FAN SHROUD BAFFLE	AG2M210389
14	NCA	FLUE TEMPERATURE STAT - 60°C (U.K.)	AG4T210533
	A3242	FLUE TEMPERATURE STAT - 60°C (U.S.A.)	AG4T210680
15	A3034	FLUE TEMPERATURE STAT - 80°C (U.K.)	AG4T210541
	A3237	FLUE TEMPERATURE STAT - 80°C (U.S.A.)	AG4T210681
16	A3029	FLUE STAT MOUNTING BRACKET	AG2M210354
17	R2891	CHASSIS FIXING BRACKET	RO2M321281
18	A2471	12-WAY TERMINAL BLOCK	AE4M45669
19	A5448	TERMINAL BLOCK LABEL	EGLL210575
20	R2190	CABLE CLAMP	RG4M26192
21			
22	R2719	CHASSIS GROMMET	RG4M31317
23	A3543	SHROUD END BRACKET (4 OVEN MODEL)	AG2M210567
24	A1102	SHROUD STAY RODS	AE4M44115
25	A3546	END SHROUDS TOP PLATE	AG2V210377
26	A2999	FLUE MIXING SHROUD	AG2V210588
27	A3030	STAT PHIAL LOCATION BRACKET	AG2M210448
28	A3241	FLUE OUTLET BAFFLE	AG2M210349
29	A2993	FLUE OUTLET NOZZLE	AG1M210348
30	A3038	FLUE NOZZLE GASKET	JGSG210452
31	NCA	FLUE DUCT	AG1M210565
32	A3037	FAN MOUNTING PLATE GASKET	JGSG210453
33	A2988	FAN MOUNTING PLATE	AG2M210351
34	C1591	FAN SEALING GASKET	JGSG410143
35	A2571	FLUE TUBE COUPLING (4-OFF)	HG9M410164COMP
36	(included with above)	FLUE PIPE SEALING RING	HG4M410180
37	A2574	FLUE PIPE BEND 90°	AG4M210381
38	A2989	FAN OUTLET ADAPTOR ASSY	AG1M210352
39	A3513	FAN OUTLET GASKET	JGSG210455
40	A2992	FLUE EXTRACTOR FAN (U.K.)	AG4M211685
	A3218	FLUE EXTRACTOR FAN (U.S.A.)	AG4M210678
Not Illustrated	A2626	FLUE PIPE BEND 45°	AG4M210618
	A2572	FLUE PIPE 1m PLASTIC COATED	AG4M210559
	A2573	FLUE PIPE 2m PLASTIC COATED	AG4M210576
	A5162	SEALING 'O' RING - PACK OF 8	AG4M211747
	A2571	FLUE COUPLING ASSEMBLY (4-OFF)	HG9M410164COMP



**FAN ASSEMBLY & COMPONENTS INC. SHROUDS
AGA GAS POWER FLUE (FROM M04-179)**

AGA GAS POWER FLUE **OCTOBER 2010**
FAN ASSEMBLY & COMPONENTS INC. SHROUDS (FROM M04-179)

ITEM No.	CAT No.	DESCRIPTION	PRODUCT CODE
1	A2123	CORNER STAY NUT	AG4M210244
2	A2119	CORNER STAY BUTTON	AG4M210228
3	A3547	LH SHROUD FRONT PLATE	AG2V210569
4	A2146	LH SHROUD (2 OVEN MODEL)	AE5E230158
5	A4860	FAN SHROUD FRONT PLATE	AG2V211638
6	A4599	FAN SHROUD	AG5E210547
7	A3028	RH SHROUD	AG5E210376
8	A1900	SHROUD SEALING ROPE	JTHR20340
9	A2986	SHROUD LOCATION STUD	KSTD52085
10	A5156	CENTRE SHROUD TOP PLATE	AG2V211633
11	A4708	SHROUD REAR SHIELD	AG1M211688
12	R2719	CHASSIS GROMMET	RG4M31317
13	A3541	FAN SHROUD BAFFLE	AG2M210389
14	A4481	FLUE TEMPERATURE STAT - 75°C (U.K.)	AG4T211644
15	A3034	FLUE TEMPERATURE STAT - 80°C (U.K.)	AG4T210541
16	A3029	FLUE STAT MOUNTING BRACKET	AG2M210354
17	R2891	CHASSIS FIXING BRACKET	RO2M321281
18	A2471	12-WAY TERMINAL BLOCK	AE4M45669
19	A5448	TERMINAL BLOCK LABEL	EGLL210575
20	R2190	CABLE CLAMP	RG4M26192
21			
22	R2719	CHASSIS GROMMET	RG4M31317
23	A3543	SHROUD END BRACKET (4 OVEN MODEL)	AG2M210567
24	A1102	SHROUD STAY RODS	AE4M44115
25	A3546	END SHROUDS TOP PLATE	AG2V210377
26	A4738	FLUE MIXING SHROUD	AG2V211651
27	A3030	STAT PHIAL LOCATION BRACKET	AG2M210448
29	A4709	FLUE OUTLET NOZZLE ASSY	AG1M211649
30	A3038	FLUE NOZZLE GASKET	JGSG210452
31	A4680	FLUE DUCT ASSY	AG1M211654
32	A3037	FAN MOUNTING PLATE GASKET	JGSG210453
33	A2988	FAN MOUNTING PLATE	AG2M210351
34	C1591	FAN SEALING GASKET	JGSG410143
35	A2571	FLUE TUBE COUPLING (4-OFF)	HG9M410164COMP
36	(included with above)	FLUE PIPE SEALING RING	HG4M410180
37	A2574	FLUE PIPE BEND 90°	AG4M210381
38	A2989	FAN OUTLET ADAPTOR ASSY	AG1M210352
39	A3513	FAN OUTLET GASKET	JGSG210455
40	A2992	FLUE EXTRACTOR FAN (U.K.)	AG4M211685
	A4474	FLUE EXTRACTOR FAN C/W ADAPTOR LEADS	AG1M211686
Not Illustrated	A2626	FLUE PIPE BEND 45°	AG4M210618
	A2572	FLUE PIPE 1m PLASTIC COATED	AG4M210559
	A2573	FLUE PIPE 2m PLASTIC COATED	AG4M210576
	A5162	SEALING 'O' RING (PACK OF 8)	AG4M211747
	A2571	FLUE COUPLING ASSEMBLY (4-OFF)	HG9M410164COMP